



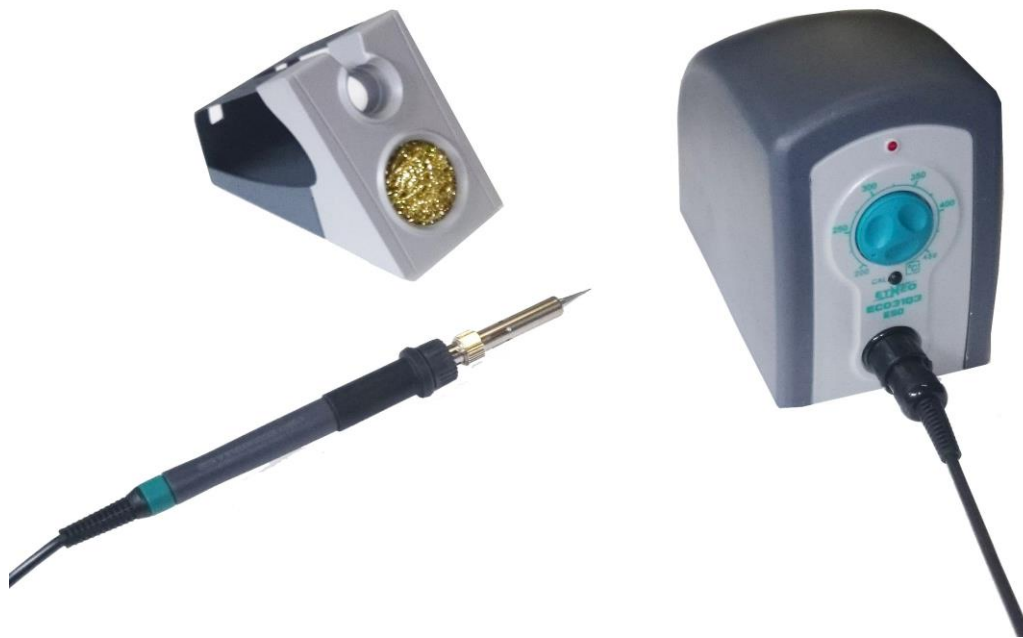
Polo scientifico tecnologico

Via Bovio 6 – 28100 Novara - NO - Italy

Tel +39 0321697200 - Fax +39 0321 688515 - Email: info@etneo.com

www.etneo.com

DATASHEET SOLDERING STATION MDOEL ECO3103



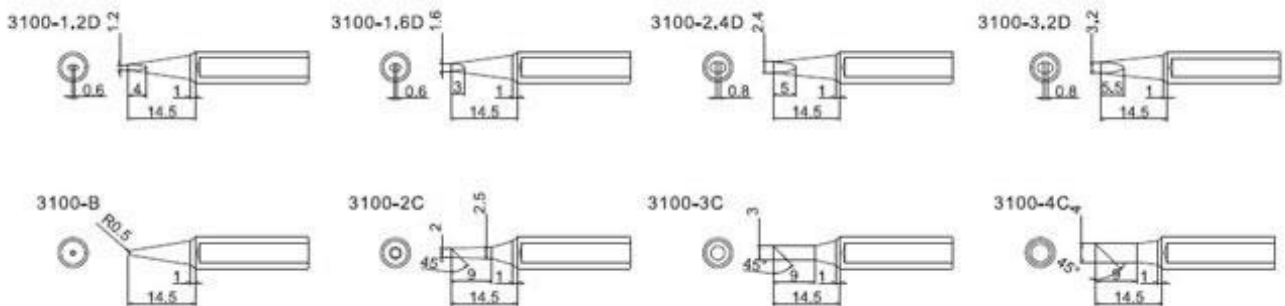
Main Features:

1. Heat resistant and long lifetime heating element.
2. Rapid heating and thermal recovering, precise and stable temperature control.
3. Various long lifetime soldering tips available, easy for using.
4. Light soldering iron, comfortable for using.
5. New appearance, stable structure.

Specifications:

Display	analog
Power	80W
Temperature range	200-450°C
Temperature accuracy	±2°C
Ambient temperature	max 40°C
Tip to ground resistance	<2Ω
Tip to ground potential	<2mV
Dimensions	83(W)*140(D)*125(H)mm
Weight	about 1,4Kg
Lenght soldering iron cable	1,2mt

Available Tips



Also available: 0.8D – I 0,5mm